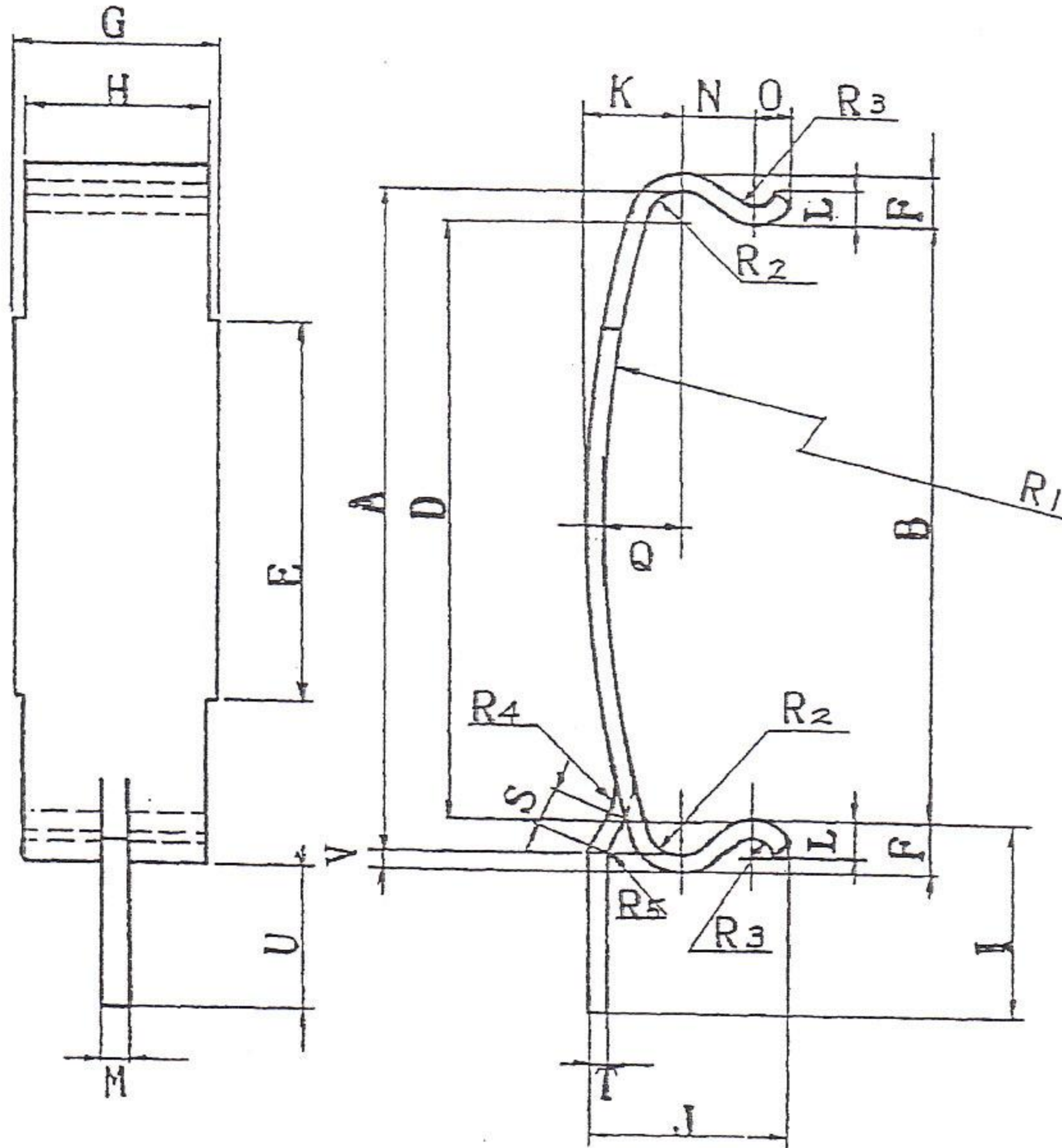


FRM8-ANTFR

Dimensions (Unit : mm)



sym	Dimensions
A	(15.0)
B	(13.5)
D	(13.6)
E	(8.6)
F	(1.1)
G	(4.5)
H	(4.0)
I	(4.8)
J	(4.1)
K	(2.1)
L	(0.7)
M	(0.7)
N	(1.5)
O	(0.8)
Q	(1.7)
S	(0.7)
T	(0.4)
U	(3.6)
V	(0.4)
R1	(R27)
R2	(R0.7X2)
R3	(R0.4X2)
R4	(R2.2)
R5	(R50)

Material: Spring steel
 Plating : Solder plating
 Sn(Lead free)

Specification No.

FES-108-6249 (00)